

Above-the-cooktop oven with Advantium® 240 Speedcook technology

General features

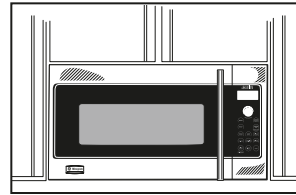
Speedcook technology. Combines high-intensity halogen light with ceramic and radiant heating elements to rapidly cook the outside of foods, sealing in natural juices. At the same time, microwave energy works to evenly cook the inside. No preheating required.

Four powerful ovens in one. Speedcook, true European convection, sensor microwave and warming- offer the ultimate in cooking speed and versatility.

Easy-to-use controls. Add cooking convenience. The round dial smoothly turns in both directions, making it easy to select from more than 175 preprogrammed recipes. Demo and help programs guide you through the simple process of choosing a programmed recipe or customizing your own.

Spacious interior. With a 13.6" turntable and two full-width oven racks easily accommodates a roast or three 8- 1/2" x 11" casserole dishes.

Filter kit accessory available. JX81D-recirculating charcoal filter kit is to be used when the Advantium oven cannot be vented to the outside.



Above-the-cooktop oven with Advantium® 240 Speedcook

ZSA2201RSS

Overall exterior dimensions

(excluding handles)

(WxHxD in inches):

29-15/16 x 16-7/16 x 15-3/8

Amps @240/208 VAC	30
-------------------	----

Approx. shipping wt. (lbs.)	104
-----------------------------	-----

- Can be paired with the 30" Monogram professional range (ZDP304NPSS/LPSS) and the following Monogram cooktops: ZGU384, ZGU36K, ZHU36R, ZHU30R, ZEU36R, ZEU30R and ZEU36K.
- Order filler kit JX52BL if placing Advantium in 36" cutout.

Above-the-cooktop oven with Advantium 120 Speedcook technology

General features

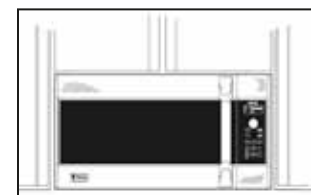
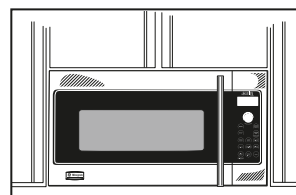
Four powerful ovens in one. Speedcook, true European convection, sensor microwave and warming- offer the ultimate in cooking speed and versatility.

Speedcook technology. Combines high-intensity halogen light with ceramic and radiant heating elements to rapidly cook the outside of foods, sealing in natural juices. At the same time, microwave energy works to evenly cook the inside. No preheating required.

Easy-to-use controls. Add cooking convenience. The round dial smoothly turns in both directions, making it easy to select from more than 175 preprogrammed recipes. Demo and help programs guide you through the simple process of choosing a programmed recipe or customizing your own.

Spacious interior. With a 13.6" turntable and two full-width oven racks easily accommodates a roast or three 8- 1/2" x 11" casserole dishes.

Filter kit accessory available. JX81D-recirculating charcoal filter kit is to be used when the Advantium oven cannot be vented to the outside.



Above-the-cooktop oven with Advantium 120 Speedcook

European – ZSA1201RSS

Professional – ZSA1202RSS

Overall exterior dimensions

(excluding handles)

(WxHxD in inches):

29-15/16 x 16-7/16 x 15-3/8

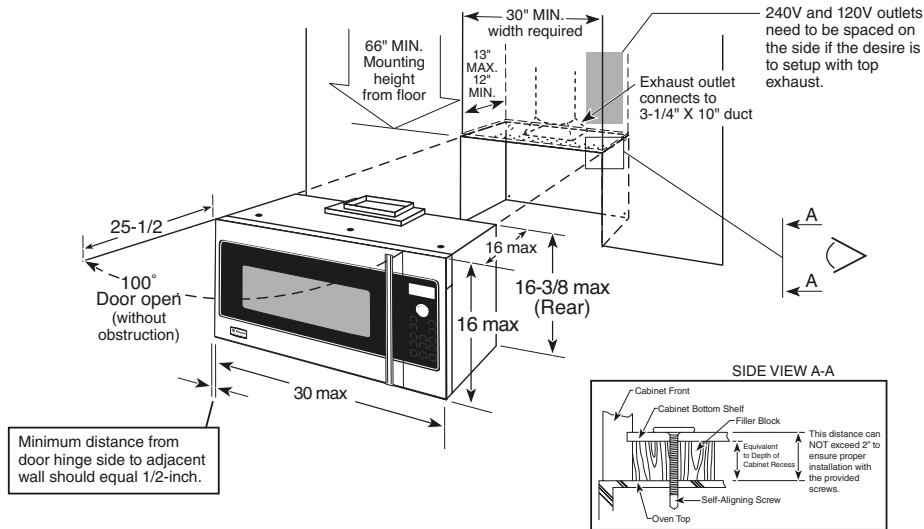
Amps 120 VAC	15
--------------	----

Approx. shipping wt. (lbs.)	97
-----------------------------	----

- Can be paired with the 30" Monogram professional range (ZDP304NPSS/LPSS) and the following Monogram cooktops: ZGU384, ZGU36K, ZHU36R, ZHU30R, ZEU36R, ZEU30R and ZEU36K.
- Order filler kit JX52BL if placing Advantium in 36" cutout.

Advance planning for Above-the-cooktop ovens (240 or 120) with Advantium Speedcook technology

Cutout and product dimensions



Note: Outside venting is optional. Vent (duct) can be horizontal or vertical.

Dimensions and Installation Information (in inches)

Hood Exhaust Duct

Outside ventilation requires a HOOD EXHAUST DUCT. Read the following carefully.

Exhaust Connection:

The hood exhaust has been designed to mate with a standard 3-1/4" x 10" rectangular duct.

If a round duct is required, a rectangular-to-round transition adaptor must be used. Do not use less than a 6" diameter duct.

Rear Exhaust:

If a rear or horizontal exhaust is to be used, care should be taken to align exhaust with the space between studs, or wall should be prepared at the time it is constructed by leaving enough space between the wall studs to accommodate exhaust.

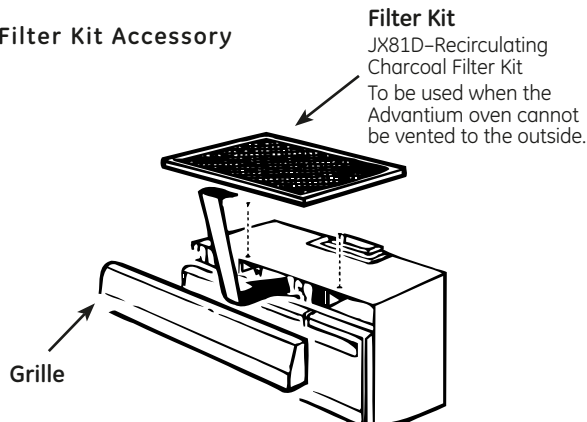
Maximum Duct Length:

For satisfactory air movement, the total duct length of 3-1/4" x 10" rectangular or 6" diameter round duct should not exceed 140 equivalent feet.

Elbows, Transitions, Wall And Roof Caps, etc.,

present additional resistance to airflow and are equivalent to a section of straight duct which is longer than their actual physical size. When calculating the total duct length, add the equivalent length of all transitions and adaptors plus the length of all straight duct sections. The chart below shows the approximate feet of equivalent length of some typical ducts.

Filter Kit Accessory



Duct	Equivalent
A. Rectangular-To-Round Transition Adaptor	5 Ft.
B. Wall Cap	40 Ft.
C. 90° Round Elbow	10 Ft.
D. 45° Round Elbow	5 Ft.
E. 90° Rectangular Elbow	25 Ft.
F. 45° Rectangular Elbow	5 Ft.
G. Roof Cap	24 Ft.